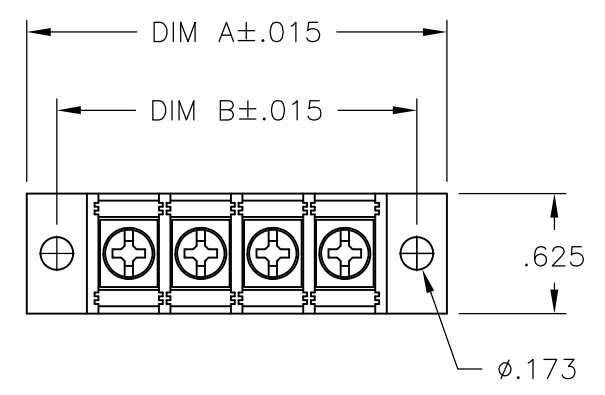


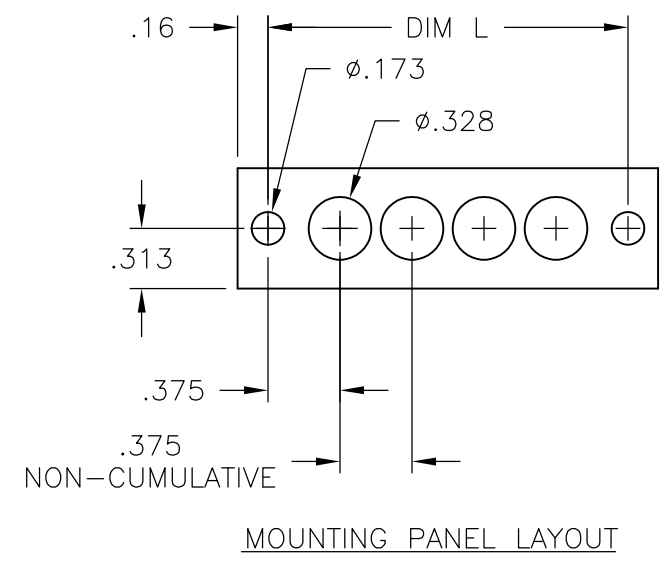
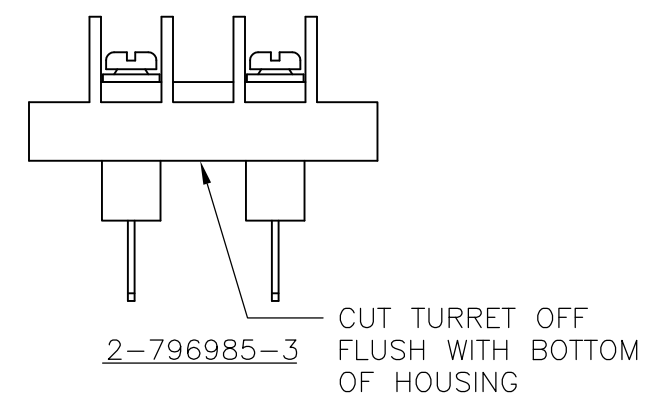
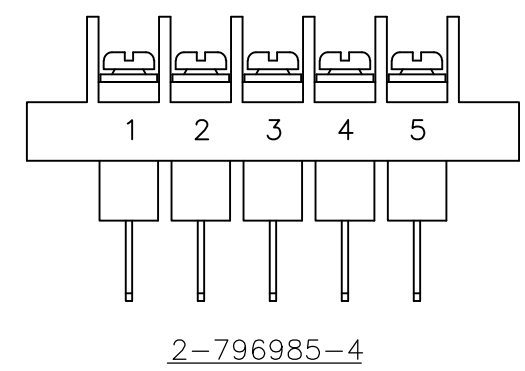
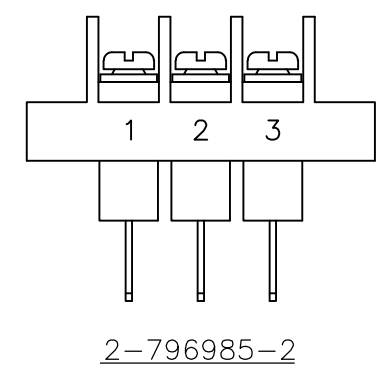
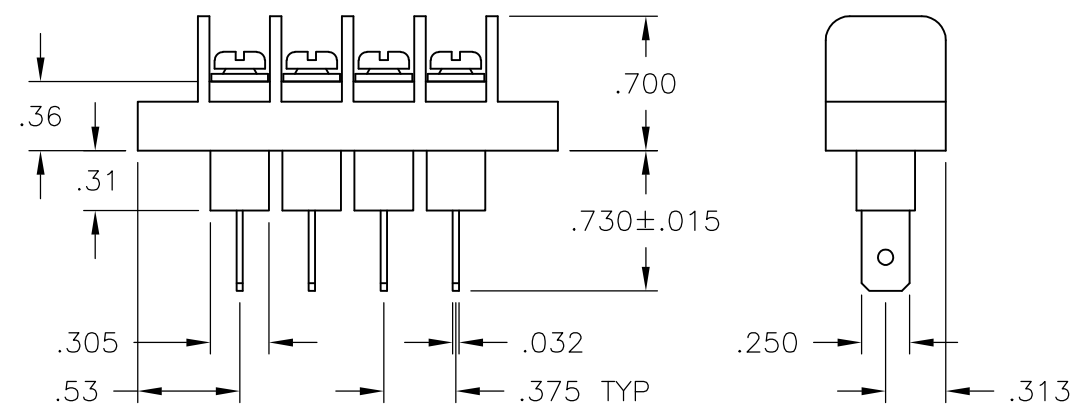
THIS DRAWING IS UNPUBLISHED. RELEASED FOR PUBLICATION  
 © COPYRIGHT - By - ALL RIGHTS RESERVED.

LOC	DIST	REVISIONS					
FT	0	P	LTR	DESCRIPTION	DATE	DWN	APVD
			B6	REVISED PER ECO-11-004820	11MAR11	RK	HMR



**PHYSICAL PROPERTIES:**  
 HOUSING: THERMOPLASTIC, UL94V-0, BLACK.  
 TERMINALS: MATERIAL: COPPER ALLOY, PLATING SEE TABLE.  
 SCREWS: #6-32 STEEL, ZINC PLATING W/ CLEAR CHROMATE.  
 PITCH (TERMINAL SPACING): .375"  
 OPERATING TEMP: 105° C MAX

**ELECTRICAL PROPERTIES:**  
 RATED CURRENT: 20A  
 OPERATING VOLTAGE: 300V  
 WIRE RANGE: 12-22 AWG



THIS DRAWING IS A CONTROLLED DOCUMENT.		DWN	S SCHLEGEL	5/27/03	<b>STE</b> TE Connectivity		
DIMENSIONS: INCHES		CHK	S YODER	5/27/03			
TOLERANCES UNLESS OTHERWISE SPECIFIED:		APVD	S YODER	5/27/03	JC6-Q308-XX ASSEMBLY		
0 PLC ± -		PRODUCT SPEC		SIZE			
1 PLC ± -		APPLICATION SPEC		CAGE CODE	DRAWING NO	RESTRICTED TO	
2 PLC ± .02		MATERIAL		A3 00779		-	
3 PLC ± .010		FINISH		C-6-1437665-2		-	
4 PLC ± -		MATERIAL		CUSTOMER DRAWING		-	
ANGLES ± -		MATERIAL		SCALE		SHEET	
FINISH		MATERIAL		NTS		1 OF 2	
-		MATERIAL		REV		B6	

THIS DRAWING IS UNPUBLISHED. RELEASED FOR PUBLICATION  
 © COPYRIGHT - By - ALL RIGHTS RESERVED.

LOC	DIST	REVISIONS					
FT	0	P	LTR	DESCRIPTION	DATE	DWN	APVD
			-	SEE SHEET 1	-	-	-

- 1 PRELIMINARY
- 2 MATTE TIN PLATE .0002 - .0006 MIN OVER .00005 MIN NICKEL.
- 3 OBSOLETE PARTS: OBSOLETE CIS STREAMLINING PER D.RENAUD/D.SINISI

PLATING	DIM. B	DIM. A	NO. OF POS.	CATALOG NUMBER	PART NO.
BRIGHT TIN PL	9.000	9.314	23	JC6-Q308-23	2-1546700-2
BRIGHT TIN PL	8.625	8.939	22	JC6-Q308-22	2-1546700-1
BRIGHT TIN PL	8.250	8.564	21	JC6-Q308-21	2-1546700-0
BRIGHT TIN PL	7.875	8.189	20	JC6-Q308-20	1-1546700-9
BRIGHT TIN PL	7.500	7.814	19	JC6-Q308-19	1-1546700-8
BRIGHT TIN PL	7.125	7.439	18	JC6-Q308-18	1-1546700-7
BRIGHT TIN PL	6.750	7.064	17	JC6-Q308-17	1-1546700-6
BRIGHT TIN PL	6.375	6.689	16	JC6-Q308-16	1-1546700-5
BRIGHT TIN PL	6.000	6.314	15	JC6-Q308-15	1-1546700-4
BRIGHT TIN PL	5.625	5.939	14	JC6-Q308-14	1-1546700-3
BRIGHT TIN PL	5.250	5.564	13	JC6-Q308-13	1-1546700-2
BRIGHT TIN PL	4.875	5.189	12	JC6-Q308-12	796985-9
BRIGHT TIN PL	4.500	4.814	11	JC6-Q308-11	1-1546700-1
BRIGHT TIN PL	4.125	4.439	10	JC6-Q308-10	796985-6
BRIGHT TIN PL	3.750	4.064	9	JC6-Q308-09	1-1546700-0
BRIGHT TIN PL	3.375	3.689	8	JC6-Q308-08	6-1437665-9
BRIGHT TIN PL	3.000	3.314	7	JC6-Q308-07	6-1437665-8
BRIGHT TIN PL	2.625	2.939	6	JC6-Q308-06	6-1437665-7
<del>BRIGHT TIN PL</del>	<del>2.250</del>	<del>2.564</del>	<del>5</del>	<del>JC6-Q308-05-175</del>	<del>2-796985-4</del>
BRIGHT TIN PL	2.250	2.564	5	JC6-Q308-05	6-1437665-6
<del>BRIGHT TIN PL</del>	<del>1.875</del>	<del>2.189</del>	<del>4</del>	<del>JC6-Q308-04</del>	<del>6-1546700-5</del>
BRIGHT TIN PL	1.875	2.189	4	JC6-Q308-04	6-1437665-5
<del>BRIGHT TIN PL</del>	<del>1.500</del>	<del>1.814</del>	<del>3</del>	<del>JC6-Q308-03-174</del>	<del>2-796985-3</del>
BRIGHT TIN PL	1.500	1.814	3	JC6-Q308-03-173	2-796985-2
BRIGHT TIN PL	1.500	1.814	3	JC6-Q308-03	6-1437665-4
BRIGHT TIN PL	1.125	1.439	2	JC6-Q308-02	6-1437665-2

3 OBSOLETE  
 SEE FIGURE (PAGE 1)

2  
 SEE FIGURE (PAGE 1)

3 OBSOLETE  
 SEE FIGURE (PAGE 1)

THIS DRAWING IS A CONTROLLED DOCUMENT.		DWN S SCHLEGEL 5/27/03	<b>STE</b> TE Connectivity		
DIMENSIONS: INCHES		CHK S YODER 5/27/03			
TOLERANCES UNLESS OTHERWISE SPECIFIED:		APVD S YODER 5/27/03	NAME		
0 PLC ± -		PRODUCT SPEC	JC6-Q308-XX ASSEMBLY		
1 PLC ± -		APPLICATION SPEC	SIZE	CAGE CODE	DRAWING NO
2 PLC ± .02			A3	00779	C-6-1437665-2
3 PLC ± .010			RESTRICTED TO		
4 PLC ± -		WEIGHT	-		
ANGLES ± -			SCALE NTS SHEET 2 OF 2 REV B6		
FINISH			CUSTOMER DRAWING		